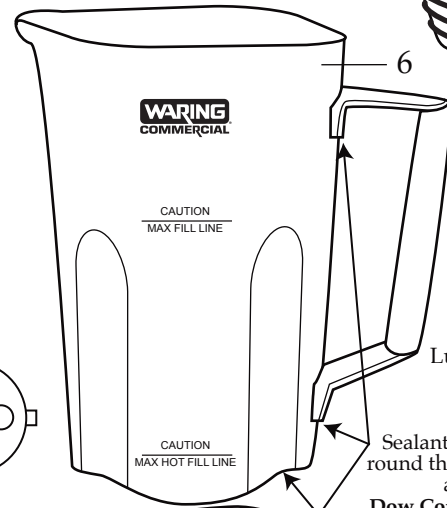
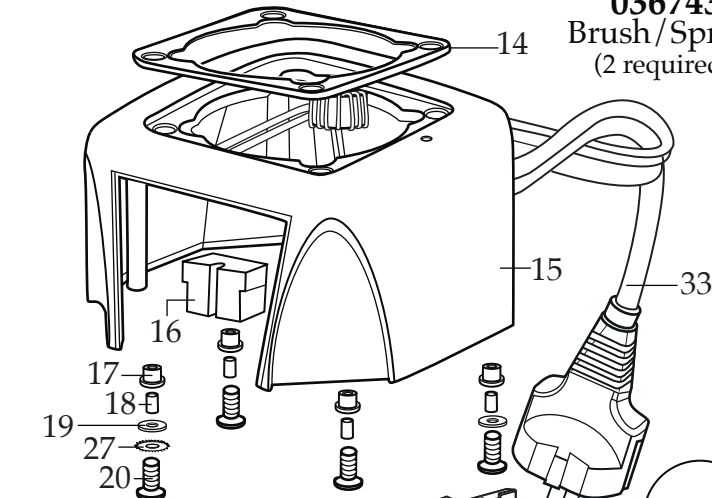
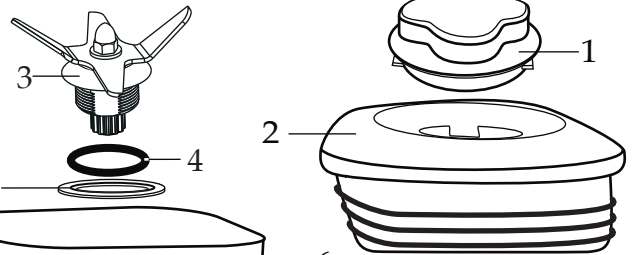
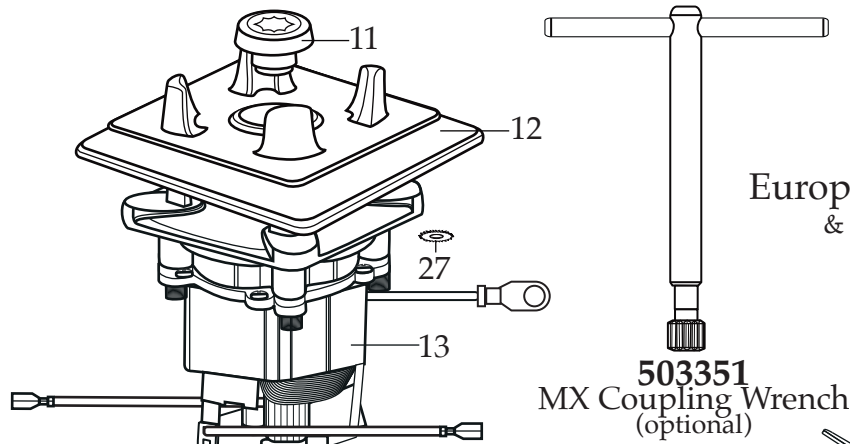


WARING COMMERCIAL

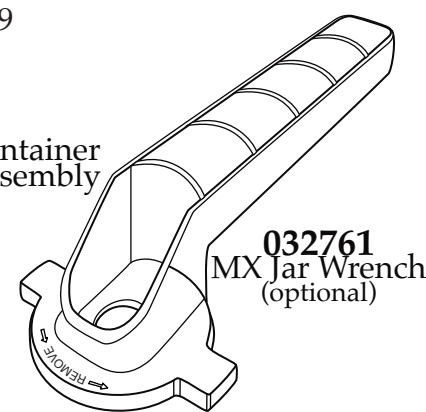
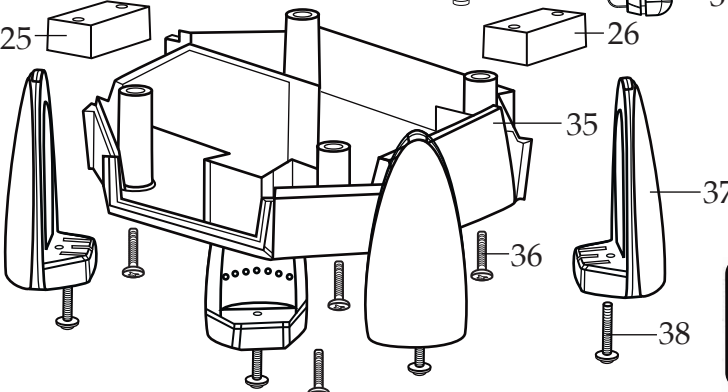
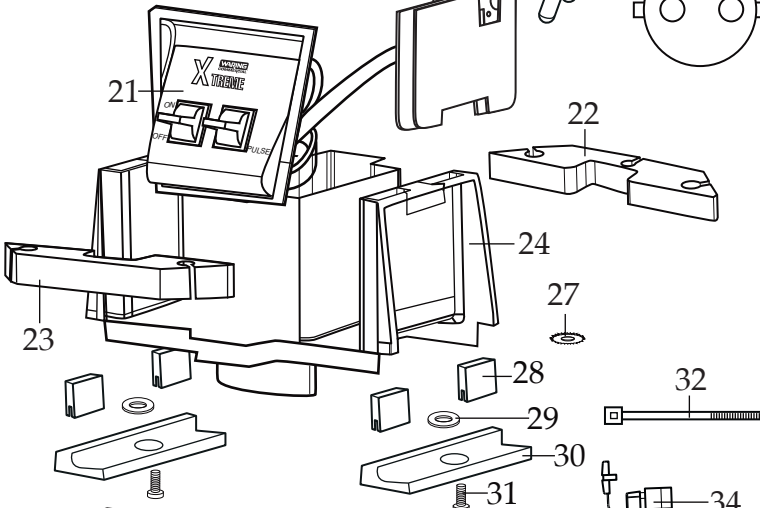
Europe Xtreme Blenders with Paddle Switch & 64 oz. Stainless Steel Container

MX1000XTEES MX1000XTSEES Sound Enclosure



Notes:
Torque 100-125 in/lbs
Lubricant applied to O Ring
Dow Corning 200 (R) Fluid

Sealant applied all
round these indicated
areas.
Dow Corning Sealant
RTV 733



Date Code Location
WYYY
(week week year year)

Catalog	Model
MX1000XTEES	MX1000XT31CE
MX1000XTSEES	MX1000XT32CE



Illustration#	Part#	Description
1	028769-E	Jar Lid Cover
2	028768	Jar Lid
3	503566	Blade Assembly <i>(on units after 2/1/2019)</i>
	503345	Blade Assembly
4	024271	O Ring
5	026798	Support Washer
6	026648	64 oz. Stainless Steel Container
7	026649	Container Support
8	026797	Bearing Holder Gasket
9	026796	Bearing Holder Washer
10	026795	Stainless Steel Jar Bearing Holder Nut
11	503601	Drive Coupling with Adapter <i>(on units after 3/29/2022)</i>
	503604	Drive Coupling with Adapter 2 Gen. <i>(changed after 6/1/2021)</i>
	028538	Drive Coupling
12	026442	Jar Pad
13	035398	Leili Motor without Sensor
14	038278	Dampening Plate Gasket <i>(on units after 8/25/2022)</i>
	026437	Dampening Plate Gasket
15	503382-E-67	MX Housings, Ferrite Core & Cord
16	028541	Motor Foam (2 required)
17	026439	Dampening Plate Bushing (4 required)
18	038786	Dampening Plate Sleeve (4 required <i>on units after 8/25/2022</i>)
	026453	Dampening Plate Sleeve (4 required)
19	026459	Washer (2 required)
20	028929	Sems (4 required)
21	036395	Control Panel with Interlock comes with switches-filter board-main board-key board
	033466	Control Panel with Interlock (use 036395)
22	028248	Top Housing Foam Rear Baffle
23	028249	Top Housing Foam Front Baffle
24	503382-E-67	MX Housings, Ferrite Core & Cord
25	028247	Bottom Housing Foam Baffle
26	028542	Foam Baffle
27	002943	Washer (3 required)
28	034900	PCB Cushions (4 required <i>on units after 7/18/2019</i>)
29	037232	Neoprene Washer (2 required <i>on units after 7/18/2019</i>)
30	037007	PCB Mounting Bracket (2 required <i>on units after 7/18/2019</i>)
31	013768	Screw (2 required <i>on units after 7/18/2019</i>)
32	013731	Cable Tie (3 required)

Catalog	Model
MX1000XTEES	MX1000XT31CE
MX1000XTSEES	MX1000XT32CE

Waring Factory Service Center
314 Ella T. Grasso Ave.
Torrington, CT 06790
Tele. 1-800-269-6640

COMMERCIAL
Fax 860-496-9017
www.waringcommercialproducts.com

Illustration#	Part#	Description
33	503382-E-67	MX Housings, Ferrite Core & Cord
34	007556	Strain Relief
35	503382-E-67	MX Housings, Ferrite Core & Cord
36	012505	Screw (4 required)
37	026430	Corner Post (4 required)
38	028928	Sems (4 required)

